

8 7 6 5 4 3 2 1

F

F

E

E

D

D

C

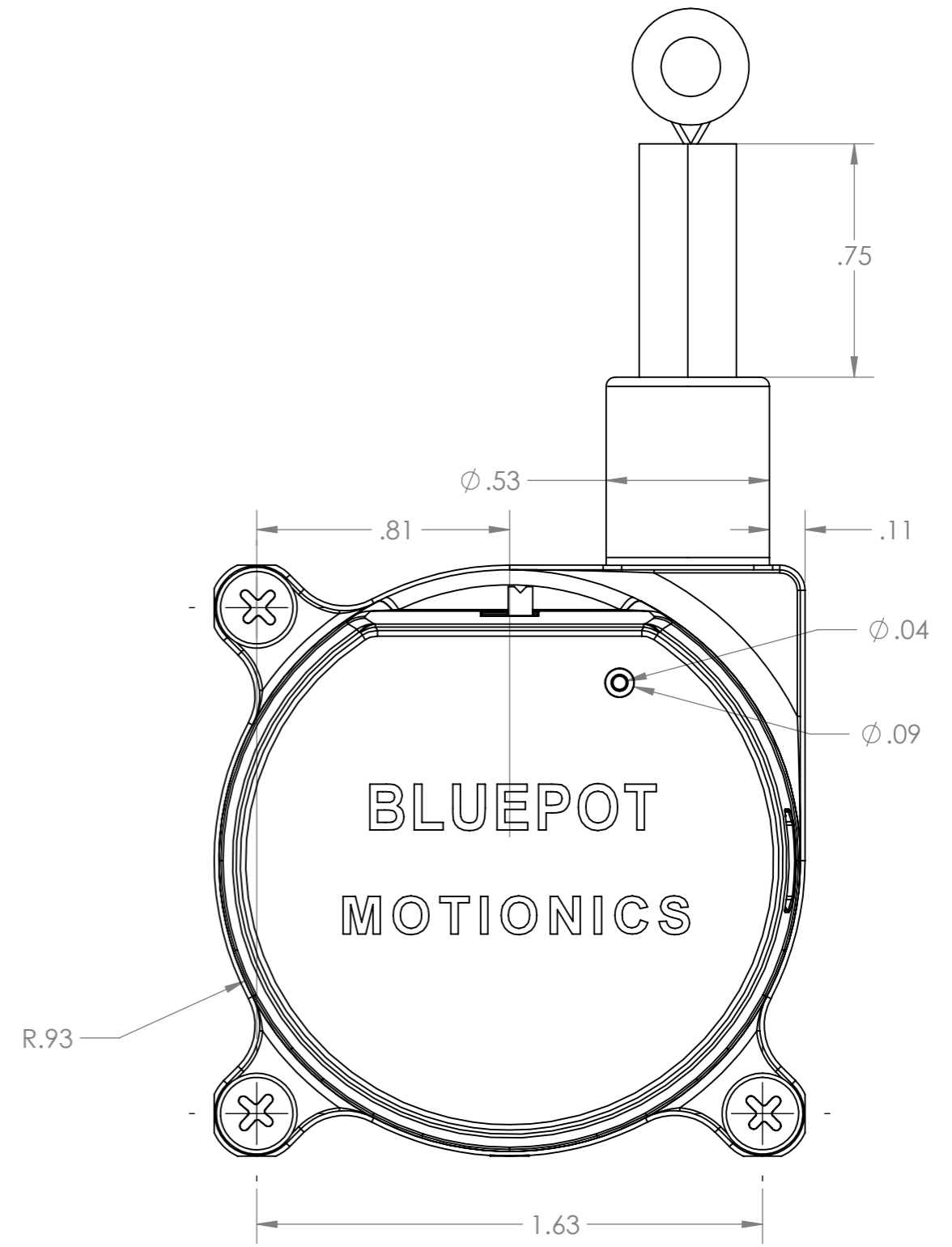
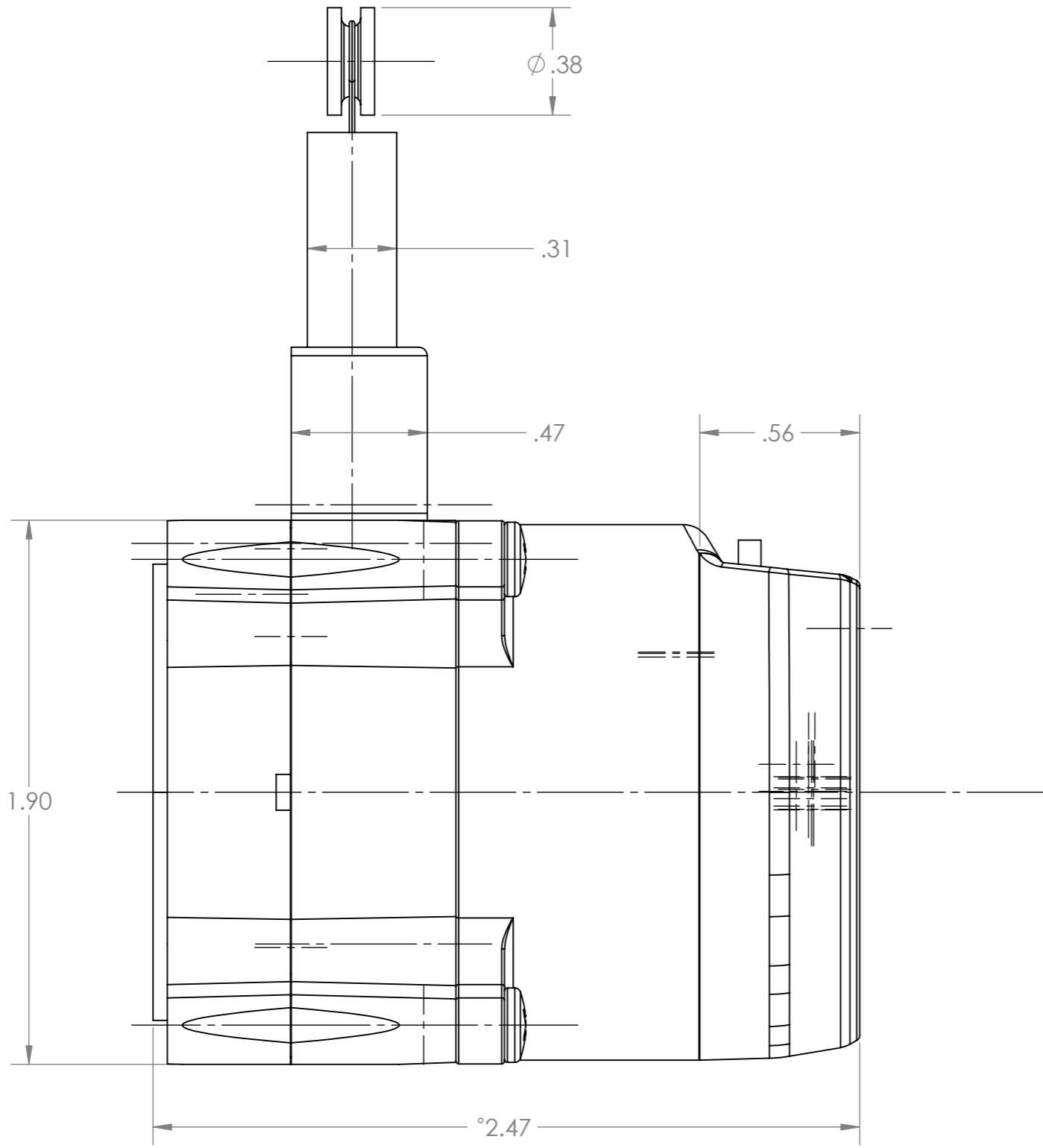
C

B

B

A

A



	NAME	SIGNATURE	DATE	FRONT VIEW RIGHT SIDE VIEW	TITLE:	
DRAWN	Motionics		Mar 3, 2022		DWG NO. 1	BluePot Motionics
CHK'D	Motionics		Mar 3, 2022			
APPV'D						
MFG						
Q.A						
				All Dimensions are in Inches	SCALE: 2:1	
					motionics Motionics, LLC	
					A3	
					SHEET 1 OF 1	

8 7 6 5 4 3 2 1