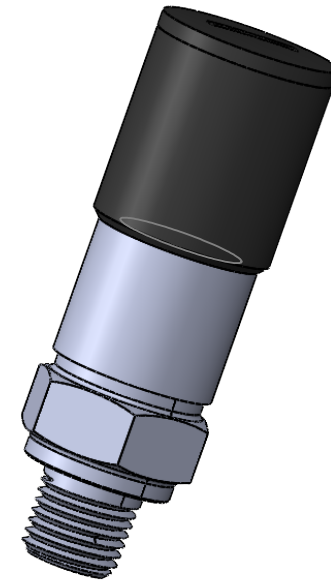
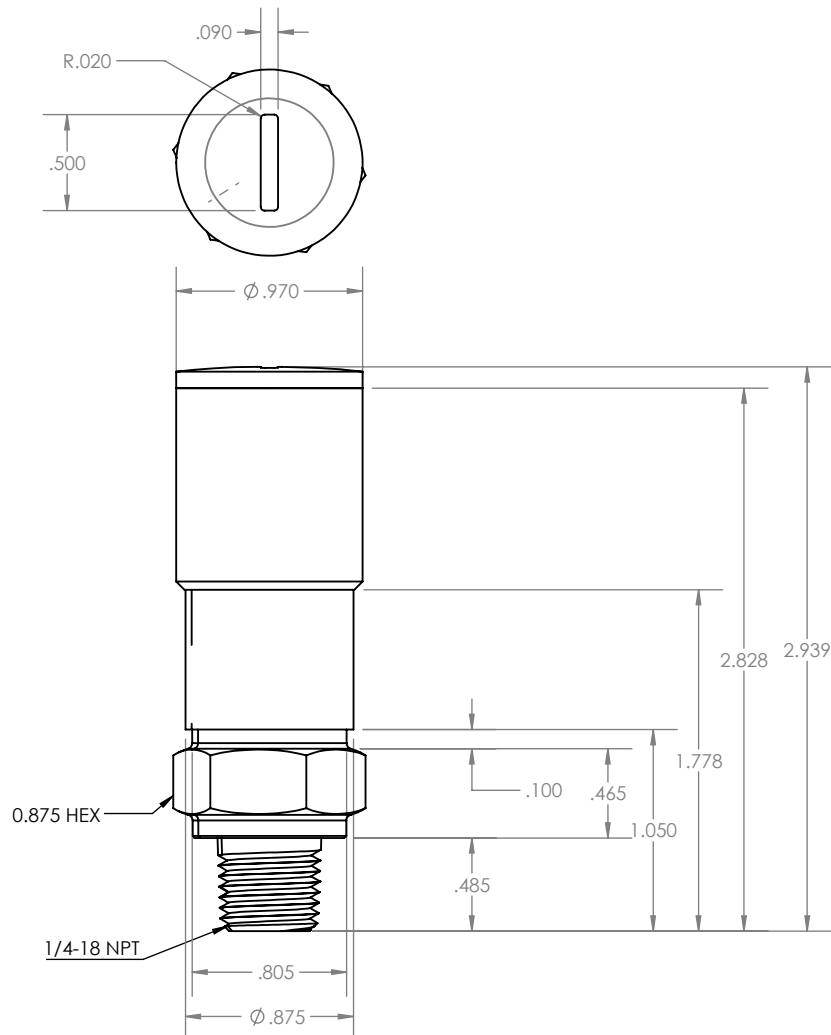


B



ISOMETRIC VIEW

B

A

A

PROPRIETARY AND CONFIDENTIAL

THE INFORMATION CONTAINED IN THIS DRAWING IS THE SOLE PROPERTY OF MOTIONICS LLC. ANY REPRODUCTION IN PART OR AS A WHOLE WITHOUT THE WRITTEN PERMISSION OF MOTIONICS LLC IS PROHIBITED.

		UNLESS OTHERWISE SPECIFIED:		NAME	DATE	Motionics, LLC	
		DIMENSIONS ARE IN INCHES	DRAWN	YS	03/03/2023	TITLE:	
		TOLERANCES:	CHECKED			BluePSI	
		FRACTIONAL ±	ENG APPR.			BP2-xxx-xx	
		ANGULAR: MACH ± BEND ±	MFG APPR.			SIZE	DWG. NO.
		TWO PLACE DECIMAL ±	Q.A.			A	REV
		THREE PLACE DECIMAL ±	COMMENTS:			SCALE: 1:1	WEIGHT:
		INTERPRET GEOMETRIC TOLERANCING PER:				SHEET 1 OF 1	
		MATERIAL					
		FINISH					
	NEXT ASSY	USED ON					
	APPLICATION		DO NOT SCALE DRAWING				

2

1